

INSTRUCTION MANUAL

CZ 75 Champion




ČESKÁ ZBROJOVKA

Before handling the pistol read this manual carefully and observe the following safety instructions.

Improper and careless handling of the pistol could result in unintentional discharge and could cause injury, death or damage to property. The same consequences can be caused by unauthorized modifications or adjustments, corrosion, or use of non-standard or damaged ammunition. In these cases the manufacturer shall not be responsible in any manner whatsoever for the resultant consequences.

Before leaving the factory this pistol was tested, carefully inspected, and packed. CZ cannot accept responsibility for product handling while in transit, or upon leaving the factory. Therefore, please examine this pistol carefully at the time of purchase to ensure that it is unloaded and undamaged.

This instruction manual should always accompany this pistol and that even in the case of the loan or sale of this pistol.

CONTENTS

SAFETY INSTRUCTIONS	16
PISTOL DESCRIPTION AND TERMINOLOGY	17
OPERATING INSTRUCTIONS	18
Ammunition	18
Removal of the Magazine	18
Magazine Loading	18
Pistol Loading	18
Reloading During Shooting	19
Unloading the Pistol	19
Engaging the Safety Mode	19
Sight Adjustment	19
MAINTENANCE INSTRUCTIONS	20
Stripping for Cleaning - Disassembly	20
Disassembly of the Slide	20
Disassembly of the Guide Rod, Sleeve, Recoil Spring	20
Firing Pin Disassembly	21
Magazine Disassembly	21
Pistol Assembly	21
Cleaning the Pistol	22
Cleaning the Barrel Bore and the Cartridge Chamber	22
Cleaning of Other Pistol Parts	22
Preserving	22
TROUBLESHOOTING, CAUSES AND REMEDIES	23
ILLUSTRATION AND LIST OF PARTS	24
TECHNICAL SPECIFICATIONS	26
LIST OF ILLUSTRATIONS	26

SAFETY INSTRUCTIONS

Always follow the safety instructions for your safety and the safety of others.

1. Always handle your pistol as if it were loaded.
2. Never point your pistol at anything you do not intend to shoot.
3. Never take anyone's word that a gun is unloaded.
4. Always make sure that your pistol is not loaded before laying it down, or handing it to another person.
5. Always keep and carry your pistol empty, with the hammer forward except when you intend to shoot.
6. Never abuse your pistol by using it for any purpose other than shooting.
7. Never leave the pistol cocked and ready to fire.
8. Before loading your pistol be sure that the barrel bore, chamber, and action are clean and clear of obstructions. After shooting, clean the dirtied pistol as soon as possible.
9. Always use only clean, dry, original high quality commercially manufactured ammunition, which is appropriate to the caliber of your pistol.
10. Never drink alcoholic beverages or take drugs before or during shooting.
11. Always wear safety glasses and ear protection when shooting.
12. Always keep the safety on when the pistol is loaded and cocked, until you are ready to fire. Keep your pistol pointed in a safe direction when disengaging the manual safety.
13. Always keep clear and keep others clear of the ejection port.
14. Never squeeze the trigger or put your finger in the trigger guard until you are aiming at a target and ready to shoot.
15. Always be absolutely sure of your target, and the area behind it, before you squeeze the trigger. A bullet could travel through or past your target up to several hundred meters.
16. Never shoot at a hard surface such as rock, or a liquid surface such as water.
17. Never fire your pistol near an animal unless it is trained to accept the noise.
18. Never indulge in "horseplay" while holding your pistol.
19. Failure to fire: always hold the pistol, keeping it pointed towards the target, or a safe open area and wait 30 seconds when the pistol fails to fire. If a hangfire (slow ignition) has occurred, the round will fire within 30 seconds. If the round does not fire, remove the magazine, eject the round and examine the primer; if the firing pin indent on the primer is light, or off center, or non-existent, have the pistol examined by a competent gunsmith.
20. Always make sure your pistol is not loaded before cleaning, storing or travelling.

21. Always keep and store your pistol and ammunition in separate locked receptacles out of reach and sight of children and untrained people.
22. Never alter any parts of your pistol as the safety and proper function of your pistol could be seriously compromised.
23. Always be aware that corrosion, use of damaged ammunition, dropping the pistol on hard surfaces or other "coarse treatment" could cause damage you may not see. If something like this happens allow the pistol to be examined and tested by a competent gunsmith.

PISTOL DESCRIPTION AND TERMINOLOGY

Nomenclatures of all CZ 75 Champion parts are presented in the section *Illustration and List of Parts*.

The CZ 75 Champion pistol is a semi-automatic handgun with a locked breech. This pistol model is designed exclusively for competition shooting in accordance with world IPSC association rules and regulations. The pistol allows rapid and accurate shooting within a very short time frame.

The CZ 75 Champion pistol design stems from the standard CZ 75 model. However, this model features the following special modifications, which are usually required for competitive handguns:

- compensator for muzzle climb reduction
- single-action trigger mechanism (SA)
- match trigger allowing for trigger travel adjustments before discharge and for overtravel (the adjusting screws are set by the manufacturer and secured by a fixed split pin)
- sporting hammer specially adapted for a reduced trigger pull weight
- ejector springs limiting axial play
- magazine bottom with rubber buttplate
- rear sight adjustable for elevation and windage
- ergonomically styled one-piece rubber grip for positive pistol holding
- all the constituent parts are individually selected and fitted

CAUTION:

Due to the pistol's characteristics and to the special modifications of the trigger mechanism, the pistol may be fired while the hammer is engaged by the hammer safety notch. The possibility that the discharge can occur (when the cartridge is in the chamber) is almost nil. Despite this we consider it necessary to draw your attention to this fact and remind you that SAFETY INSTRUCTIONS MUST BE ALWAYS OBSERVED.

Comments:

SA (Single Action)

The trigger mechanism operates in a single action mode of fire. The hammer is cocked manually and then after pressing the trigger the pistol is fired. The trigger travel is short, and pull weight is low. After each discharge the hammer remains cocked.

Safety Stop on the Hammer

A half-cock safety notch is on the hammer so as to prevent it from striking the firing pin when the hammer is manually cocked, and a thumb could slip. When the hammer is on the safety stop, it is not leaning against the firing pin stop, but its position is further back.

OPERATING INSTRUCTIONS

Ammunition

Use only factory-manufactured standard ammunition of appropriate caliber, which are in compliance with CIP regulations (International Proof Commission for Firearms) or SAAMI (Sporting Arms and Ammunition Manufacturers' Institute Inc. of the United States). The use of other cartridges could damage the handgun or cause malfunctions or injury to the shooter.

Removal of the Magazine

Hold the pistol and depress the magazine catch. The magazine is released and protrudes from its housing.

Magazine Loading

With the open end uppermost, grasp the magazine in one hand. Place a cartridge on the magazine follower. Press the cartridge down and back until it touches the rear flat edge of the magazine. Place the next cartridge on top of the previous cartridge and press down and back. We recommend that when some cartridges are already loaded in the magazine, depress them slightly with the plastic loading tool provided as accessory.

The number of cartridges can be checked through the inspection holes in the sides of the magazine. Do not try to exceed the magazine capacity - doing so can cause a feeding failure.

Pistol Loading

ALWAYS MAKE SURE THE PISTOL IS POINTED IN A SAFE DIRECTION WHEN LOADING!

Insert a loaded magazine and ensure that it has engaged the magazine catch.

Hold the pistol by the grip with one hand, and with the thumb and index finger grasp the serrated finger grips on both sides of the slide. Retract the slide to the stop and allow it to snap forward (Fig. 1). This procedure cocks the hammer and

inserts a cartridge into the chamber. The pistol is now ready to fire. If you do not intend to fire immediately, ensure the pistol safety as described further in the section *Engaging the Safety Mode*.

Reloading During Shooting

When the last cartridge has been fired the slide will stay to the rear. Remove the emptied magazine and replace it with a loaded one. Thumb down the slide stop with the shooting hand (Fig. 2), or with the other hand draw back the slide and allow it to snap forward (Fig. 1). The pistol is again loaded and ready to fire.

Unloading the Pistol

ALWAYS MAKE SURE THE PISTOL IS POINTED IN A SAFE DIRECTION!

- remove the magazine
- draw back the slide and verify the last cartridge has been extracted from the chamber and ejected
- let the slide snap fully forward
- depress the trigger (dry fire)

Engaging the Safety Mode

Rotate the safety in an upward direction (Fig. 3) until the red warning dot is covered. The safety in this position blocks the trigger mechanism and slide, thus preventing the pulling of the trigger and operating the slide. Engage the pistol's safety only when the hammer is in its rear position, that is to say - cocked.

Due to the special adjustment of the trigger mechanism it is possible to rotate the safety to a "Safe" position, even when the hammer is on the safety notch, or leaning against the firing pin stop. However, it is not recommended that the safety be engaged while in this state, because forced cocking of the hammer could damage the trigger mechanism.

Please remember that the safest way to secure a pistol is to unload it and store it in a safe place!

Sight Adjustment

Corrections for windage and elevation can be carried out through the use of the micrometer screws of the adjustable rear sight (Fig. 4). The screw for elevation correction is marked with an arrow and the UP word; the screw for windage correction is marked with an arrow and the letter R (RIGHT).

ATTENTION - only the right hand side of the screw is designed for use in corrections. The left-hand end intentionally has a narrower slot. So that the screwdriver enclosed will not fit. The screws are fixed by spring loaded balls which fall into division slots. Turning of the screws by one division shifts the point of impact at 25 m approximately 0,7 cm.

MAINTENANCE INSTRUCTIONS

Stripping for Cleaning - Disassembly

POINT YOUR PISTOL IN A SAFE DIRECTION!

1. Remove the magazine. The pistol must not be disassembled with the magazine inserted!
2. Put the safety to "OFF" position, in order to release the movement of the slide.
3. MAKE SURE THAT THERE IS NO CARTRIDGE IN THE CHAMBER!
4. Pull the slide back, shift the slide stop up and keep it in this position. Ease the slide forwards to be intercepted by the slide stop.
5. Insert the disassembly hook with its shorter part into the hole in the guide rod. Rotate the longer part of the disassembly hook in such a way that it lays parallel and is seated on the guide rod (it is enough to point your pistol barrel groundwards).
6. Release the slide by depressing the slide stop in a downward direction (Fig. 2). The slide will spring forwards - it is highly recommended that the forward movement of the slide be slowed manually.
7. Pull the slide back again about 5 mm to the rear, aligning both of the lines on the left-hand side of the frame and the slide (Fig. 5).
8. KEEPING THE LINES ALIGNED push (tap) the slide stop from the right hand side of the weapon. Remove the slide stop from the left-hand side.
9. Pull the slide and the barrel with the compensator forwards and off.

Disassembly of the Slide

- remove the guide rod, with its sleeve and recoil spring from the slide
- tip out the barrel with the compensator so as to be able to insert a cleaning rod into the barrel bore, or unscrew the compensator and remove the barrel

CAUTION:

When re-assembling compensator the barrel in the slide shall be positioned in such a way so that the barrel locking lugs match corresponding recesses in the slide!

Disassembly of the Guide Rod, Sleeve, Recoil Spring

- depress the sleeve sliding it over the guide rod and against the recoil spring, take out the disassembly hook
- carefully release the sleeve with due attention being paid the compressed spring and slide the sleeve off the guide rod
- remove the recoil spring

The disassembly procedure as described above is sufficient for "routine cleaning of a handgun". When a great number of cartridges have been fired, it is advisable to also clean the firing pin and the magazine.

Firing Pin Disassembly

Push in the rear end of firing pin using a suitable tool, below the level of the firing pin stop, and shift the firing pin stop approximately 2 mm down (Fig. 6). Then cover the firing pin stop with your thumb in order not to lose the spring-loaded firing pin and with the other hand pull the firing pin stop completely off the slide. Be very careful at this stage of the disassembly procedure, as the firing pin is spring-loaded and could fly out, getting lost, or even causing injury.

Magazine Disassembly

To remove the magazine base, push on the base lock which sticks out through a hole in the base and slide the base about 5 mm towards the front of the magazine. Cover the base with your thumb to prevent losing the magazine spring and with the other hand take off the base from its guiding rails. Be careful during the disassembly as the spring could fly out, or even cause an injury.

CAUTION:

No further disassembly of your pistol is recommended. Should your pistol require adjustment or repair be sure the task is entrusted to a competent gunsmith!

Pistol Assembly

- slide the recoil spring over the guide rod
- slide the sleeve up to the recoil spring, in this case over the guide rod, depress, insert the shorter part of the disassembly hook into the hole in the guide rod
- rotate the longer part of the hook in such a way as to be seated on the guide rod
- insert the guide rod with its sleeve into the respective hole in the slide along with the barrel and compensator (inserting it about 3 mm into the slide is sufficient)
- slide the complete slide assembly onto the frame - from the front
- align the lines on the left side of the frame and slide
- from the left side of the frame install the slide stop into the appropriate hole
- insert the empty magazine, pull the slide to its rear position (the slide will be arrested by the slide stop in its rear position)
- remove the disassembly hook from the hole in the guide rod (gently shaking the pistol is enough)
- depress the slide stop, the slide will move forward to its front position
- release the hammer

Cleaning the Pistol

Clean the pistol

- each time you use it
- if you get your pistol wet
- as soon as possible after shooting
- at least once a year in a temperate climate
- as often as once a month in a tropical climate, or other demanding environment

Cleaning the Barrel Bore and the Cartridge Chamber

If the pistol has not been fired or if only a few cartridges have been fired, clean the barrel bore and cartridge chamber by the clean patch attached to the cleaning rod.

When the barrel bore is very dirty, apply a gun cleaning solution using a cleaning brush. Let the solvent act for about 10 minutes (this time may vary depending on the solvent agent being used). Then thoroughly scrub out the barrel bore. Subsequently, dry the barrel bore and cartridge chamber with a clean patch and check that all powder residues, or fouling have been removed. If necessary repeat this procedure.

The cleaning rod and the brush must be inserted into the barrel bore from the chamber, to prevent wear or damage to the muzzle. Pass the brush all the way through the barrel bore before reversing the movement. If you try to change directions with the brush in the barrel, the brush could stick.

Cleaning of Other Pistol Parts

Other parts of the pistol (including the external surfaces of the barrel) should be cleaned with a dry cloth, old toothbrush, brass bristle brush or a wooden scraper. Preserving oil or paraffin oil, can be used for proper cleaning. Never use the agent designed for barrel bore cleaning! These solutions could remain in the joints, and after some time could cause corrosion.

Check that cloth particles or brush bristles have not become lodged in any part of the pistol.

Preserving

When the barrel bore, cartridge chamber, and all accessible parts are clean and dry, wipe these parts with a cloth soaked in gun oil or apply the oil in a spray. Remove all excess oil.

Before shooting always wipe the barrel bore dry. At very low temperatures remove the oil from all accessible parts or apply a lubricant prepared especially for these conditions.

Use thick preserving agents for example, preserving grease only for a long-term storage in demanding climate environments, and before any use of the pistol it must be thoroughly removed from all parts of the firearm.

TROUBLESHOOTING, CAUSES AND REMEDIES

If your pistol is properly used and maintained, malfunctions will rarely occur. However, if such a situation does occur, please observe the following instructions.

CAUTION - If a malfunction occurs, the possibility of unintentional discharge is substantially increased. For this reason, carefully observe the *Safety Instructions* already mentioned above. Keep the pistol pointed in a safe direction, do not turn the pistol against your body or anyone else's! Do not place your hands in front of the barrel!

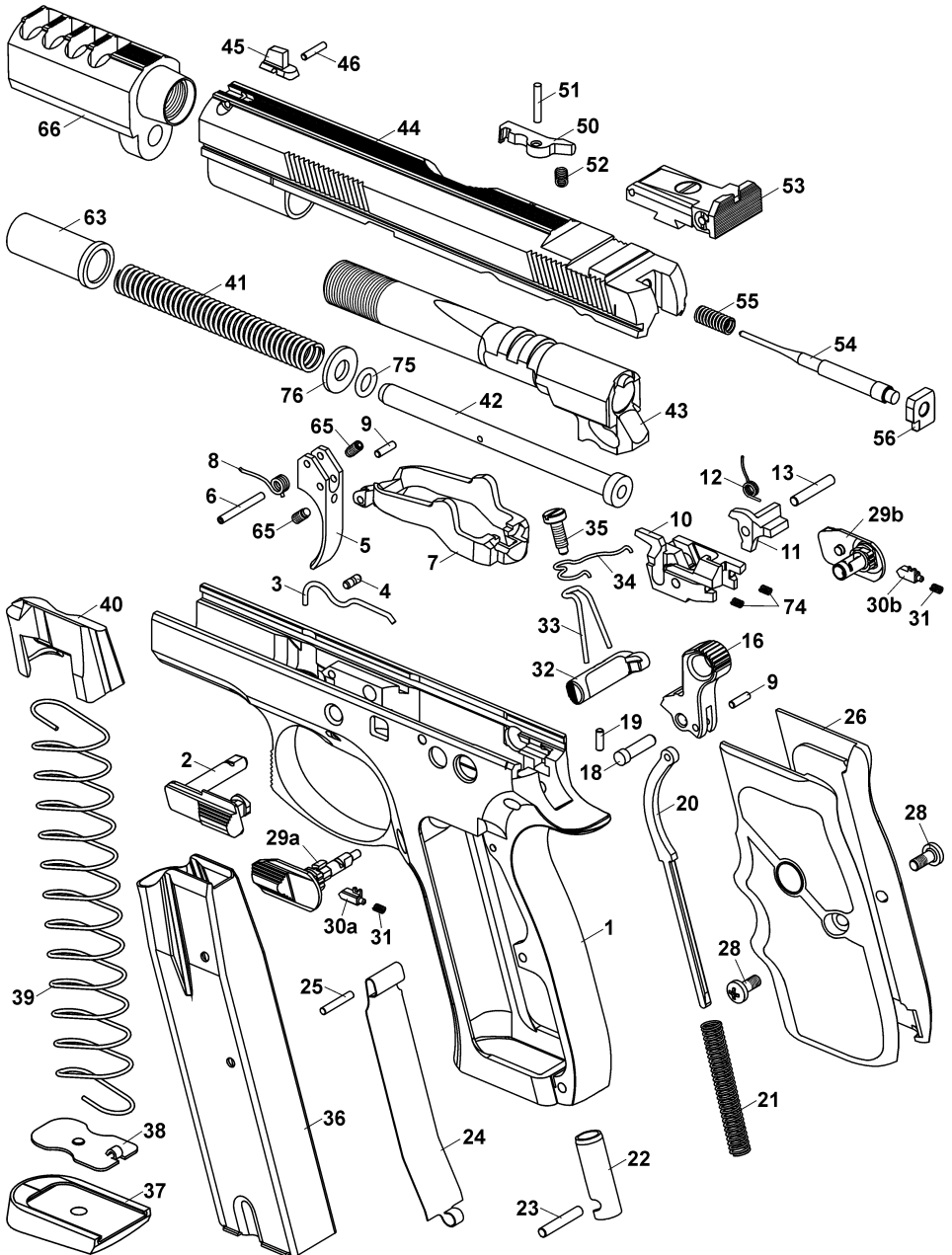
Acquiring so-called "dummy cartridges" and practicing fast clearing of malfunctions as described below is advisable.

Malfunction	Possible Cause	Remedy
A round has not been fed into the chamber or the slide has not fully locked with the barrel.	Magazine is not fully inserted or is damaged. The pistol or cartridges are fouled (dirty) or too heavily greased.	Insert magazine properly or change magazine. Clean the pistol and cartridges and wipe them dry or as case may be slightly lubricate.
Misfire	Defective cartridge Firing pin hole fouled (dirty) or improper lubrication agent used under low temperature conditions.	Pull the trigger again. If a discharge is not initiated, follow the Safety Instructions according to point 19. Disassemble and clean the firing pin or use a low temperature lubricant.
A shot sounds "weak" combined with failure to eject the cartridge case.	The primer has been activated but no powder load was inside the cartridge case.	Unload the pistol and check that the bullet is not lodged in the barrel. A subsequent shot could cause damage to the barrel.
The spent case has not been ejected.	Cartridge chamber, extractor or ammunition dirty, or unsuitable lubricant in low temperature environment.	Clean and wipe the pistol dry or lubricate lightly with a suitable agent. Use new and clean ammunition.

The use of reloaded cartridges which are usually somehow damaged can result in one of the malfunctions and failures described above.

If you cannot clear away any malfunction in the manner described above, entrust the pistol to a competent gunsmith for inspection and repair.

ILLUSTRATION AND LIST OF PARTS



1 Frame	34 Trigger Bar Pin
2 Slide Stop	35 Magazine Catch Spring Screw
3 Slide Stop Spring	36 Magazine Body
4 Slide Stop Spring Pin	37 Magazine Base
5 Trigger	38 Magazine Base Lock
6 Trigger Pin	39 Magazine Spring
7 Trigger Bar	40 Follower
8 Trigger Spring	41 Recoil Spring
9 Pin (2x)	42 Recoil Spring Guide Rod
10 Ejector	43 Barrel
11 Sear	44 Slide
12 Sear Spring	45 Front Sight
13 Sear Spring Pin	46 Front Sight Pin
14 -	47 -
15 -	48 -
16 Hammer	49 -
17 -	50 Extractor
18 Hammer Pin	51 Extractor Pin
19 Hammer Pin Retaining Peg	52 Extractor Spring
20 Main Spring Strut	53 LPA Rear Sight
21 Main Spring	54 Firing Pin
22 Main Spring Plug	55 Firing Pin Spring
23 Main Spring Plug Pin	56 Firing Pin Spring Stop
24 Magazine Brake	57 -
25 Magazine Brake Pin	58 -
26 Hogue Grip	59 -
27 -	60 -
28 Grip Screw (2x)	61 -
29 a) Safety - Left	62 -
b) Safety - Right	63 Recoil Spring Sleeve
30 a) Safety Detent Plunger - Left	64 -
b) Safety Detent Plunger - Right	65 Trigger Adjustment Screw (2x)
31 Safety Detent Plunger Spring (2x)	66 Compensator
32 Magazine Catch	74 Ejector Spring (2x)
33 Magazine Catch Spring	75 O Ring
	76 Washer

Comments:

The numbers marked with dash (-) are stated here for the purpose of conformity with the lists of other pistol parts only.

TECHNICAL SPECIFICATIONS

Caliber		9 mm Luger	.40 S&W
Overall length	[mm]	235	245
Height	[mm]	142	142
Width	[mm]	38	38
Weight without magazine	[g]	1040	1060
Weight with empty magazine	[g]	1130	1150
Barrel length	[mm]	114	114
Sight radius	[mm]	172	172
Magazine capacity	[cartridges]	16 (10*)	12 (10*)

* To some countries, the CZ 75 Champion pistol is supplied with a reduced magazine capacity in compliance with local laws.

LIST OF ILLUSTRATIONS

1. Slide release from its "rear lock-up" position by its cocking and releasing
2. Slide release from its "rear lock-up" position by depressing slide stop
3. Shifting the safety to the "SAFETY-ON" position
4. Micrometer adjustable rear sight
5. Positioning of the slide during disassembly
6. Firing pin disassembly

The Company, reserves the right to make any changes it thinks necessary to improve its models or to meet any requirements of manufacturing or commercial nature.



①



②



③



④



⑤



⑥