

INSTRUCTION MANUAL

CZ 75



ČESKÁ ZBROJOVKA

Before handling the pistol read this manual carefully and observe the following safety instructions.

Improper and careless handling of the pistol could result in unintentional discharge and could cause injury, death or damage to property. The same consequences can be caused by unauthorized modifications or adjustments, corrosion, or use of non-standard or damaged ammunition. In these cases the manufacturer shall not be responsible in any manner whatsoever for the resultant consequences.

Before leaving the factory this pistol was tested, carefully inspected, and packed. CZ cannot accept responsibility for product handling while in transit, or upon leaving the factory. Therefore, please examine this pistol carefully at the time of purchase to ensure that it is unloaded and undamaged.

This instruction manual should always accompany this pistol and that even in the case of the loan or sale of this pistol.

CONTENTS

SAFETY INSTRUCTIONS	16
PISTOL DESCRIPTION AND TERMINOLOGY	17
OPERATING INSTRUCTIONS	19
Ammunition	19
Removal of the Magazine	19
Magazine Loading	19
Pistol Loading	19
Reloading During Shooting	19
Unloading the Pistol	20
Engaging the Safety Mode	20
Decocking	20
Loaded Chamber Indicator	21
Sight Adjustment	21
MAINTENANCE INSTRUCTIONS	22
Stripping for Cleaning - Disassembly	22
Firing Pin Disassembly	22
Magazine Disassembly	22
Cleaning the Pistol	23
Cleaning the Barrel Bore and the Cartridge Chamber	23
Cleaning of Other Pistol Parts	23
Preserving	23
ILLUSTRATION AND LIST OF PARTS	24
TROUBLESHOOTING, CAUSES AND REMEDIES	26
TECHNICAL SPECIFICATIONS	27
LIST OF ILLUSTRATIONS	27

SAFETY INSTRUCTIONS

Always follow the safety instructions for your safety and the safety of others.

1. Always handle your pistol as if it were loaded.
2. Never point your pistol at anything you do not intend to shoot.
3. Never take anyone's word that a gun is unloaded.
4. Always make sure that your pistol is not loaded before laying it down, or handing it to another person.
5. Always keep and carry your pistol empty, with the hammer forward except when you intend to shoot.
6. Never abuse your pistol by using it for any purpose other than shooting.
7. Never leave the pistol cocked and ready to fire unattended.
8. Before loading your pistol be sure that the barrel bore, chamber, and action are clean and clear of obstructions. After shooting, clean the dirtied pistol as soon as possible.
9. Always use only clean, dry, original high quality commercially manufactured ammunition, which is appropriate to the caliber of your pistol.
10. Never drink alcoholic beverages or take drugs before or during shooting.
11. Always wear safety glasses and ear protection when shooting.
12. Always keep the safety on when the pistol is loaded and cocked, until you are ready to fire. Keep your pistol pointed in a safe direction when disengaging the manual safety.
13. Always keep clear and keep others clear of the ejection port.
14. Never squeeze the trigger or put your finger in the trigger guard until you are aiming at a target and ready to shoot.
15. Always be absolutely sure of your target, and the area behind it, before you squeeze the trigger. A bullet could travel through or past your target up to several hundred meters.
16. Never shoot at a hard surface such as rock, or a liquid surface such as water.
17. Never fire your pistol near an animal unless it is trained to accept the noise.
18. Never indulge in "horseplay" while holding your pistol.
19. Failure to fire: always hold the pistol, keeping it pointed towards the target, or a safe open area and wait 30 seconds when the pistol fails to fire. If a hangfire (slow ignition) has occurred, the round will fire within 30 seconds. If the round does not fire, remove the magazine, eject the round and examine the primer; if the firing pin indent on the primer is light, or off center, or non-existent, have the pistol examined by a competent gunsmith.
20. Always make sure your pistol is not loaded before cleaning, storing or travelling.

21. Always keep and store your pistol and ammunition in separate locked receptacles out of reach and sight of children and untrained people.
22. Never alter any parts of your pistol as the safety and proper function of your pistol could be seriously compromised.
23. Always be aware that corrosion, use of damaged ammunition, dropping the pistol on hard surfaces or other "coarse treatment" could cause damage you may not see. If something like this happens allow the pistol to be examined and tested by a competent gunsmith.

PISTOL DESCRIPTION AND TERMINOLOGY

The names of basic pistol parts used in this Instruction Manual are presented in Fig. 1. Nomenclatures of all CZ 75 parts are presented in the section *Illustration and List of Parts*.

The CZ 75 pistol is a semi-automatic handgun with locked breech. It is produced in several versions. Characteristic features of all versions are:

- Large capacity double-column magazine
- Comfortable grip and balance in either hand
- Good results at instinctive shooting (without aiming)
- Low trigger pull weight
- High accuracy of fire
- Long service life
- High reliability, even with various types of cartridges
- The slide stays open after the last cartridge has been fired
- Suitable for COMBAT shooting
- P-01 version is provided with attachment rails located at the front portion of the frame designed for special accessories mounting
- The sights are fitted with a three-dot illuminating system for better aiming in poor visibility conditions. Optional tritium or micrometrical sights can be fitted on request to the customer's specifications.

Among the specific features of all versions, apart from the caliber, size, weight, magazine capacity, trigger mechanism operation, surface finish, grip plate type and other specific modifications; are the methods of securing the pistol's safety - see the following table.

Versions	Operation	Manual Safety	Decocking Device	Safety Stop on Hammer	Firing Pin Safety	Loaded Chamber Indicator
CZ 75	SA/DA	yes	no	yes	no	*
CZ 75 B	SA/DA	yes	no	yes	yes	*
CZ 75 BD	SA/DA	no	yes	yes	yes	*
CZ 75 POLICE	SA/DA	no	yes	yes	yes	yes
CZ 75 DAO	DAO	no	no	no	yes	*
CZ 75 COMPACT	SA/DA	yes	no	yes	yes	*
CZ 75 D COMPACT	SA/DA	no	yes	yes	yes	yes
CZ 75 SemiCompact	SA/DA	yes	no	yes	yes	*
CZ 75 P-01	SA/DA	no	yes	yes	yes	*

* Loaded chamber indicator supplied on special order only.

Comments:

SA (Single Action)

The trigger mechanism operates in a single action mode of fire. The hammer is cocked manually and then after pressing the trigger the pistol is fired. The trigger travel is short, and pull weight is low. After each discharge the hammer remains cocked.

DA (Double Action)

The trigger mechanism operates in a double action mode of fire. The hammer is cocked, released and the pistol fired by one pull of the trigger. The trigger travel is longer, and trigger pull weight is higher than at SA mode of fire.

DAO (Double Action Only)

The trigger mechanism only operates in a double action mode of fire. The hammer returns to the down position after each shot, and for the subsequent shots must be cocked again by pulling the trigger.

Safety Stop on the Hammer

A half-cock safety notch is on the hammer so as to prevent it from striking the firing pin when the hammer is manually cocked, and a thumb could slip. When the hammer is on the safety stop, it is not leaning against the firing pin stop, but its position is further back.

Firing Pin Safety

The firing pin safety keeps the firing pin blocked until the trigger is pulled. This safety device minimizes the risk of accidental discharge through mishandling such as when a loaded pistol is dropped.

Decocking

Serves for the lowering of the hammer from the cocked position to the hammer safety notch position. There is no necessity to manipulate the trigger and hammer manually. This device is especially useful when a cartridge is loaded in the chamber. In this state, when the hammer is decocked, the pistol is safe for all normal handling and yet is ready for immediate use.

OPERATING INSTRUCTIONS

Ammunition

Use only factory-manufactured ammunition of appropriate caliber, which are in compliance with CIP regulations (International Proof Commission for Firearms) or SAAMI (Sporting Arms and Ammunition Manufacturers' Institute Inc. of the United States). The use of other cartridges could damage the handgun or cause injury to the shooter.

Removal of the Magazine

Hold the pistol in your right/left hand and depress the magazine catch with the thumb/middle finger. The magazine will slightly protrude from its housing about 5 to 10 mm and then it can be removed with the other hand.

Magazine Loading

With the open end uppermost, grasp the magazine in one hand. Place a cartridge on the magazine follower. Press the cartridge down and back until it touches the rear flat edge of the magazine. Place the next cartridge on top of the previous cartridge and press down and back. We recommend that when some cartridges are already loaded in the magazine, depress them slightly with the thumb of the hand which holds the magazine.

The number of cartridges can be checked through the inspection holes in the sides of the magazine. Do not try to exceed the magazine capacity - doing so can cause a feeding failure.

Pistol Loading

CAUTION:

ALWAYS MAKE SURE THE PISTOL IS POINTED IN A SAFE DIRECTION WHEN LOADING!

Insert a loaded magazine and ensure that it has engaged the magazine catch.

Hold the pistol by the grip with one hand, and with the thumb and index finger grasp the serrated finger grips on both sides of the slide. Retract the slide to the stop and allow it to snap forward (Fig. 2). This procedure cocks the hammer and inserts a cartridge into the chamber. The pistol is now ready to fire. If you do not intend to fire immediately, ensure the pistol safety by some of the methods mentioned in the section: *Engaging the Safety Mode* (for versions with no manual safety refer to the section *Decocking*).

Reloading During Shooting

When the last cartridge has been fired the slide will stay to the rear. Remove the emptied magazine and replace it with a loaded one. Thumb down the slide stop with the shooting hand (Fig. 3), or with the other hand draw back the slide and allow it to snap forward (Fig. 2). The pistol is again loaded and ready to fire.

Unloading the Pistol

ALWAYS MAKE SURE THE PISTOL IS POINTED IN A SAFE DIRECTION!

- Remove the magazine
- Draw back the slide and verify the last cartridge has been extracted from the chamber and ejected
- Let the slide snap fully forward
- Depress the trigger (dry fire)

Engaging the Safety Mode

The version equipped with a decocking device is not covered in this section!

Push the safety up to the Safety-On position (Fig. 4) until the red warning dot is covered. The safety in this position blocks the trigger mechanism and slide, thus preventing the pulling of the trigger and operating the slide. The safety can be engaged only when the hammer is cocked, and for this reason it is applied especially in the case of a short-term interruption of shooting.

Besides the method previously described it is possible to put the pistol into a safety mode and still be ready to fire immediately:

Load the pistol. Grasp the grip, POINT IN A SAFE DIRECTION. With thumb and index finger of the other hand hold the hammer firmly (Fig. 5), pull the trigger and release the hammer slowly and gradually until it rests on the firing pin stop. Release the trigger. Apply extreme caution when lowering the hammer to avoid an accidental discharge! We strongly recommend to practice this operation beforehand with the pistol unloaded.

In this state the pistol is safe for all normal handling and at the same time ready for immediate use. The design of this handgun incorporates the feature that the manual safety can not be applied when the hammer is not cocked in order not to reduce the readiness of the pistol for use by accidental engaging of the manual safety.

Please remember that the safest way to secure a pistol is to unload it and store it in a safe place!

Decocking

The version equipped with a manual safety is not covered in this section!

MAKE SURE THE PISTOL IS POINTED IN A SAFE DIRECTION and thumb down the decocking control lever (Fig. 6).

Pressing down the decocking control lever actuates the lowering of the hammer from the cocked position to the hammer safety notch position, without any need to pull the trigger. Even if there is a cartridge in the chamber the pistol is (hammer decocked) safe for all normal handling in this state, and ready for immediate use in a Double Action mode of fire.

Loaded Chamber Indicator

The protrusion of the loaded chamber indicator above the top surface of the slide indicates a cartridge loaded in the cartridge chamber (supplied on special order only). This protrusion can be checked both by sight and by touch.

Sight Adjustment

The pistol sights were sighted in at the manufacturing plant at a distance of 25 m so that the mean point of impact approximately conforms to the point of aim.

Windage correction can be carried out by the drifting of the rear sight in the dovetail and then secured in its position by an indentation. Elevation correction is carried out by exchanging the rear sights for higher or lower sizes.

In case of need there is an option to exchange the usual rear sights for an adjustable sight of suitable type, or as the case may be to also exchange the front sight, which is secured by a roll pin. These adjustments should be entrusted to a competent gunsmith.

CAUTION:

CZ 75 P-01 version: Before starting with rear sight windage adjustments it is necessary to loosen the screw securing the rear sight against falling-out. After completing rear sight adjustment procedure it is necessary to tighten the screw back again.

MAINTENANCE INSTRUCTIONS

Stripping for Cleaning - Disassembly

POINT YOUR PISTOL IN A SAFE DIRECTION!

1. Remove the magazine. The pistol must not be disassembled with the magazine inserted!
2. Put the safety to "OFF" position, in order to release the movement of the slide (not valid for versions with no manual safety).
3. MAKE SURE THAT THERE IS NO CARTRIDGE IN THE CHAMBER!
4. Retract the hammer slightly back and then release it, until it stops on half-cock (safety) notch position. In this state the handling which follows will be easier.
5. Put your left thumb through the trigger guard and with the other fingers grasp the top of the front part of the slide firmly (Fig. 7). Push the slide slightly back until the two vertical lines on the rear part of the frame and slide are in line with each other.
6. KEEPING THE LINES ALIGNED push (tap) the slide stop from the right hand side of the weapon, i.e. using the magazine base (Fig. 8). Remove the slide stop from the left.
7. Pull the slide and the barrel forward off the frame.
8. Remove the recoil spring and guide and finally the barrel.

No further disassembly is needed for routine maintenance. When a great number of cartridges has been fired, it is advisable to also disassemble the firing pin and magazine.

Firing Pin Disassembly

Push in the rear end of firing pin using a suitable tool, below the level of the firing pin stop, and shift the firing pin stop approx. 2 mm down (Fig. 9). Then cover the firing pin stop with your thumb in order not to lose the spring-loaded firing pin and with the other hand pull the firing pin stop completely off the slide. Be very careful at this stage of the disassembly procedure, as the firing pin is spring-loaded and could fly out, getting lost, or even causing injury.

If you have a pistol with a firing pin block safety, entrust this disassembly procedure and cleaning to a competent gunsmith!

Magazine Disassembly

To remove the magazine base, push on the base lock which sticks out through a hole in the base and slide the base about 5 mm towards the front of the magazine. Cover the base with your thumb to prevent losing the magazine spring and with the other hand take off the base from its guiding rails. Be careful during the disassembly as the spring could fly out, or even cause an injury.

No further disassembly of your pistol is recommended. Should your pistol require adjustment or repair be sure the task is entrusted to a competent gunsmith!

Cleaning the Pistol

Clean the pistol

- Each time you use it
- If you get your pistol wet
- As soon as possible after shooting
- At least once a year in a temperate climate
- As often as once a month in a tropical climate, or other demanding environment

Cleaning the Barrel Bore and the Cartridge Chamber

If the pistol has not been fired or if only a few cartridges have been fired, clean the barrel bore and cartridge chamber by the clean patch attached to the cleaning rod. Repeat the cleaning, changing patches, until the last patch comes out clean.

When the barrel bore is very dirty, apply a gun cleaning solution using a cleaning brush. Let the solvent act for about 10 minutes (this time may vary depending on the solvent agent being used). Then thoroughly scrub out the barrel bore. Subsequently, dry the barrel bore and cartridge chamber with a clean patch and check that all powder residues or fouling have been removed. If necessary repeat this procedure.

The cleaning rod and the brush must be inserted into the barrel bore from the chamber, to prevent wear or damage to the muzzle. Pass the brush all the way through the barrel bore before reversing the movement. If you try to change directions with the brush in the barrel, the brush could stick.

Cleaning of Other Pistol Parts

Other parts of the pistol (including the external surfaces of the barrel) should be cleaned with a dry cloth, old toothbrush, brass bristle brush or a wooden scraper. Preserving oil or paraffin oil can be used for proper cleaning. Never use the agent designed for barrel bore cleaning! These solutions could remain in the joints, and after some time could cause corrosion.

Check that cloth particles or brush bristles have not become lodged in any part of the pistol.

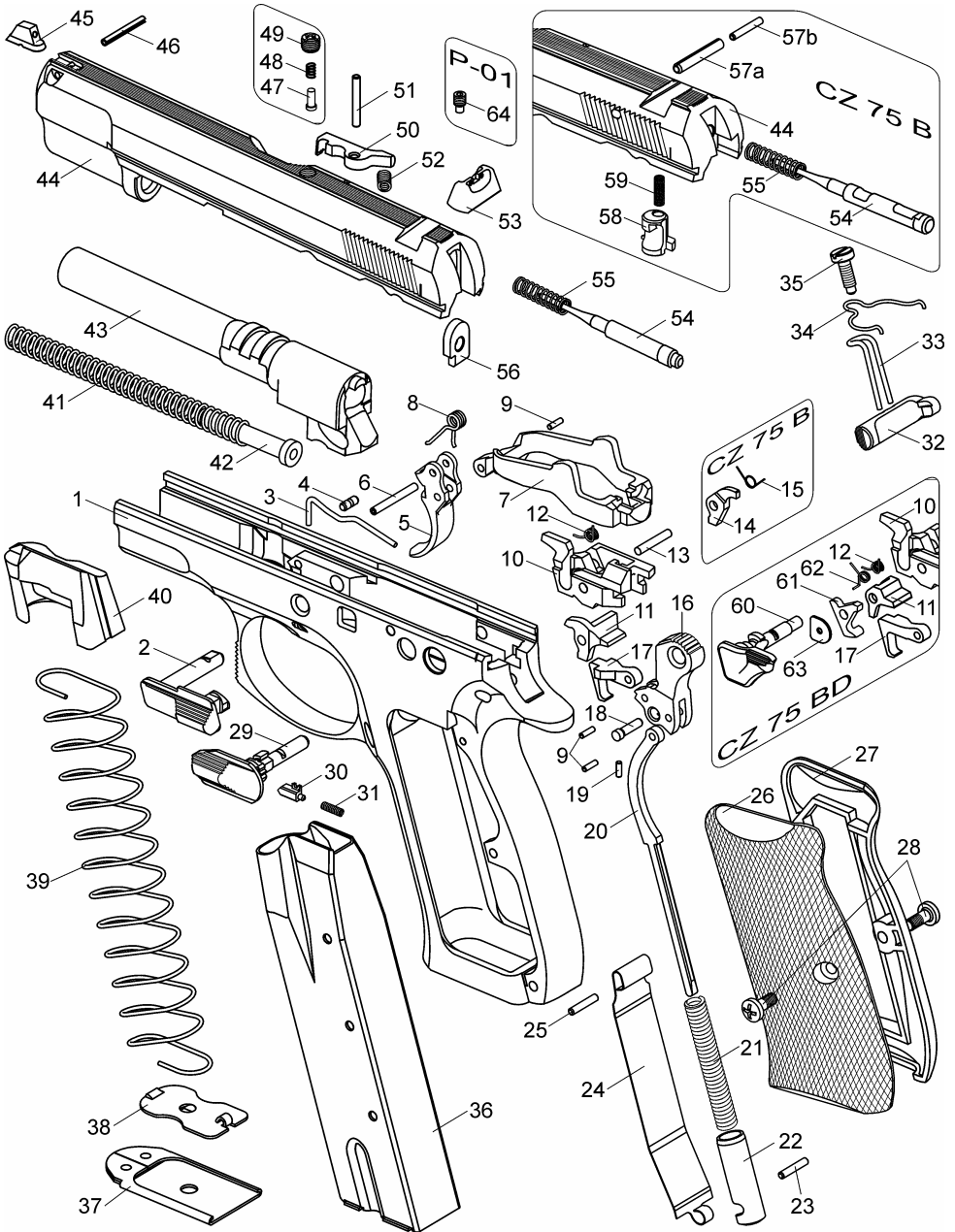
Preserving

When the barrel bore, cartridge chamber, and all accessible parts are clean and dry, wipe these parts with a cloth soaked in gun oil or apply the oil in a spray. Remove all excess oil.

Before shooting always wipe the barrel bore dry. At very low temperatures remove the oil from all accessible parts or apply a lubricant prepared especially for these conditions.

Use thick preserving agents for example, preserving grease only for a long-term storage in demanding climate environments, and before any use of the pistol it must be thoroughly removed from all parts of the firearm.

ILLUSTRATION AND LIST OF PARTS



- | | |
|------------------------------------|---|
| 1 Frame * | 33 Magazine Catch Spring |
| 2 Slide Stop * | 34 Trigger Bar Spring |
| 3 Slide Stop Spring | 35 Magazine Catch Spring Screw |
| 4 Slide Stop Spring Pin | 36 Magazine Body * |
| 5 Trigger * | 37 Magazine Base * |
| 6 Trigger Pin | 38 Magazine Base Lock |
| 7 Trigger Bar * | 39 Magazine Spring * |
| 8 Trigger Spring | 40 Follower * |
| 9 Pin (3x) | 41 Recoil Spring * |
| 10 Ejector * | 42 Recoil Spring Guide * |
| 11 Sear * | 43 Barrel * |
| 12 Sear Spring | 44 Slide with Barrel Bushing * |
| 13 Sear Pin * | 45 Front Sight |
| 14 Firing Pin Block Lever * | 46 Front Sight Pin |
| 15 Firing Pin Block Lever Spring * | 47 Loaded Chamber Indicator * |
| 16 Hammer * | 48 Loaded Chamber Indicator Spring * |
| 17 Disconnecter * | 49 Loaded Chamber Indicator Nut * |
| 18 Hammer Pin | 50 Extractor * |
| 19 Hammer Pin Retaining Peg | 51 Extractor Pin |
| 20 Main Spring Strut * | 52 Extractor Spring |
| 21 Main Spring | 53 Rear Sight * |
| 22 Main Spring Plug * | 54 Firing Pin * |
| 23 Main Spring Plug Pin | 55 Firing Pin Spring |
| 24 Magazine Brake * | 56 Firing Pin Stop * |
| 25 Magazine Brake Pin | 57 a) Firing Pin Roll Pin $\varnothing 3$ * |
| 26 Grip Panel - Left * | b) Firing Pin Roll Pin $\varnothing 2$ * |
| 27 Grip Panel - Right * | 58 Firing Pin Block Stop * |
| 28 Grip Panel Screw (2x) | 59 Firing Pin Block Stop Spring * |
| 29 Safety * | 60 Hammer Decocking Lever Controller * |
| 30 Safety Detent Plunger * | 61 Decocking Lever * |
| 31 Safety Detent Plunger Spring * | 62 Decocking Lever Spring * |
| 32 Magazine Catch * | 63 Fixing Insert * |
| | 64 Securing Screw * |

Comments:

The parts marked * differ according to versions, or as case may be in some versions are entirely missing.

The Company, reserves the right to make any changes it thinks necessary to improve its models or to meet any requirements of manufacturing or commercial nature .

TROUBLESHOOTING, CAUSES AND REMEDIES

If your pistol is properly used and maintained, malfunctions will rarely occur. However, if such a situation does occur, please observe the following instructions.

CAUTION - If a malfunction occurs, the possibility of unintentional discharge is substantially increased. For this reason, carefully observe the *Safety Instructions* already mentioned above. Keep the pistol pointed in a safe direction, do not turn the pistol against your body or anyone else's! Do not place your hands in front of the barrel!

If you use your pistol for self-defense, or in law enforcement, please acquire so-called "dummy cartridges" and practice fast clearing of malfunctions as described below.

Malfunction	Possible Cause	Remedy
A round has not been fed into the chamber or the slide has not fully locked with the barrel.	Magazine is not fully inserted or is damaged. The pistol or cartridges are fouled (dirty) or too heavily greased.	Insert magazine properly or change magazine. Clean the pistol and cartridges and wipe them dry or as case may be slightly lubricate.
Misfire	Defective cartridge Firing pin hole fouled (dirty) or improper lubrication agent used under low temperature conditions.	Pull the trigger again. If a discharge is not initiated, follow the Safety Instructions according to point 19. Disassemble and clean the firing pin or use a low temperature lubricant.
A shot sounds "weak" combined with failure to eject the cartridge case.	The primer has been activated but no powder load was inside the cartridge case.	Unload the pistol and check that the bullet is not lodged in the barrel. A subsequent shot could cause damage to the barrel.
The spent case has not been ejected.	Cartridge chamber, extractor or ammunition dirty, or unsuitable lubricant in low temperature environment.	Clean and wipe the pistol dry or lubricate lightly with a suitable agent. Use new and clean ammunition.

If you cannot clear away any malfunction in the manner described above, entrust the pistol to a competent gunsmith for inspection and repair.

TECHNICAL SPECIFICATIONS

Model	CZ 75 CZ 75 B CZ 75 BD CZ 75 DAO CZ 75 POLICE	CZ 75 COMPACT	CZ 75 D COMPACT	CZ 75 P-01	CZ 75 Semi Compact
Caliber	9 mm Luger 9 x 21 .40 S&W	9 mm Luger			
Overall length [mm]	206	184	184	184	184
Height [mm]	138	128	128	137	138
Width (depends on grip panel type) [mm]	~35	~35	~35	37	~35
Weight with empty magazine [g]	1000	920	720	800	960
Frame	Steel	Steel	Light Alloy		Steel
Barrel length [mm]	120	98,5	98,5	98,5	98,5
Sight radius [mm]	155	135	135	135	135
Magazine capacity	9 mm Luger	16 *	14 *	14 *	10 *
	9 x 21	16 *	14 *	-	-
	.40 S&W	10 *	-	-	-

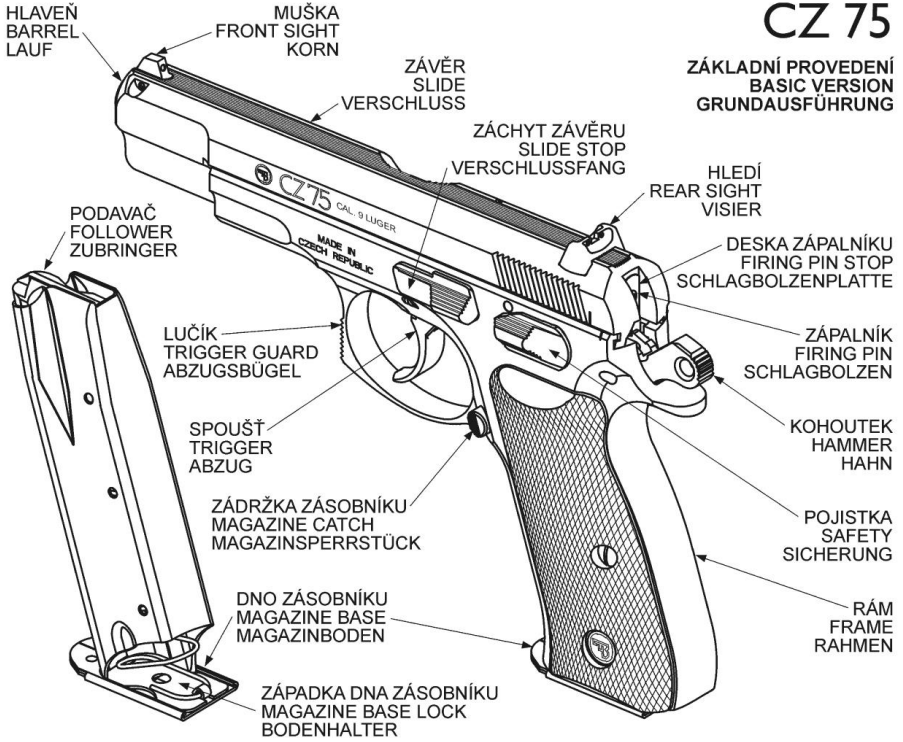
* To some countries, the CZ 75 pistols are supplied with a reduced magazine capacity in compliance with local laws.

LIST OF ILLUSTRATIONS

1. The names of basic parts
2. Slide release from its "rear lock-up" position by its cocking and releasing
3. Slide release from its "rear lock-up" position by depressing slide stop
4. Shifting the safety to the "SAFETY-ON" position
5. Release of the hammer in the version equipped with the manual safety
6. Release of the hammer in the version equipped with no manual safety
7. Positioning of the slide during disassembly
8. Slide stop removal using the magazine base to facilitate this operation
9. Firing pin disassembly

CZ 75

ZÁKLADNÍ PŘEVODNÍ
BASIC VERSION
GRUNDAUSFÜHRUNG



①





④



⑤



⑥



⑦



⑧



⑨